

## 2D Drafting using Creo Elements/Direct 19.0

### Overview

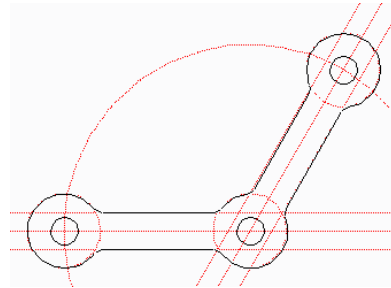
---

Course Code WBT-4537-0

Course Length 24 Hours

This is the introductory course for Creo Elements/Direct Drafting. In this course, you will be given an overview of the product as well as instructions about how to design in 2-D. You will explore the different tools and features available in the Drafting UI as well as how to customize or adjust the settings. You will also learn how to create, modify, and annotate your design.

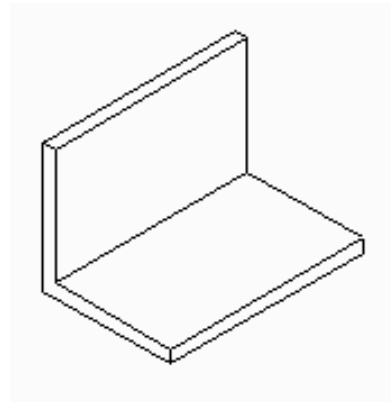
At the end of each module, you will complete a set of review questions to reinforce critical topics from that module. At the end of the course, you will complete a course assessment in Pro/FICIENCY intended to evaluate your understanding of the course as a whole.



### Course Objectives

---

- Design parts and assemblies using Creo Elements/Direct Drafting
- Use the various drawing and modification commands to design
- Add dimensions to parts for further clarification and instruction
- Add additional hatch, text, and symbols
- Create and manage a part structure



### Prerequisites

---

- Basic understanding of 2-D drafting
- Previous experience with other 2-D CAD applications is not required, but beneficial

### Audience

---

- This course is intended for design engineers, drafters, industrial designers, and manufacturing engineers
-

## Table of Contents

Module	1	Introducing Drafting
Module	2	Introducing Drafting Operations
Module	3	Introducing Drafting Modification Operations
Module	4	Introducing Drafting Annotations
Module	5	Introducing Drafting Structure

---